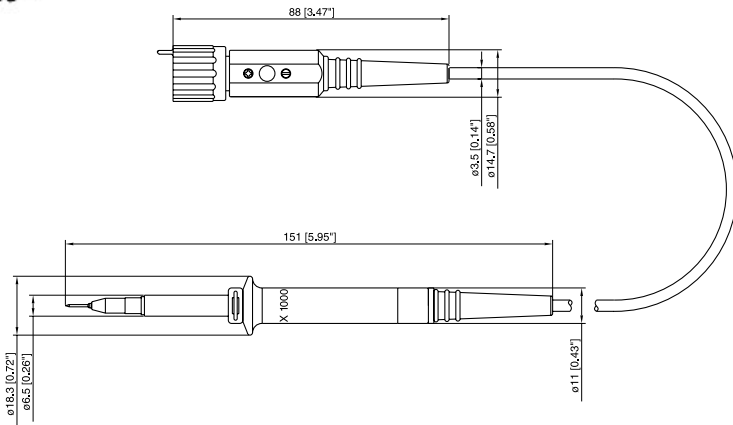


PDD 416X / PDDS 496X

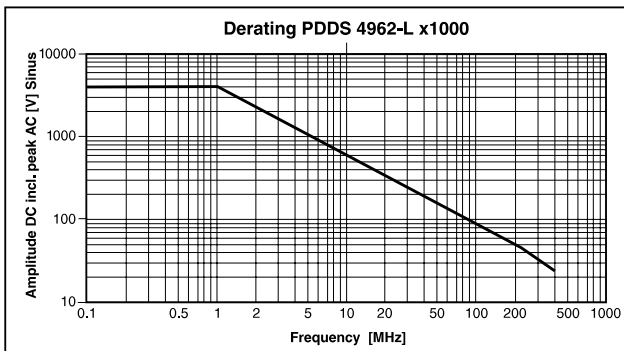


Accessory Pack for PDD 401X in a case:

PDD 401X 2 each - Spring Contact Tip 0.8 mm (mounted in the Probe), Rigid Tip 0.8 mm, BNC Adapter, Ground Lead 22cm (9"), and 1 each - Sprung Hook II black and red, Insulating Cap black and red, IC Cap black and red, Trimmer Tool, Ground Lead for differential Probe Pairs, Flexible 4 mm Safety Probe adapter black and red, Large Alligator Clip red and black



2.8 kV AC CAT.II



Accessory Pack for PDD 416X and 496X in a case:

PDD 416X 2 each - Spring Contact Tip 0.8 mm (mounted in the Probe), Rigid Tip 0.8 mm, BNC Adapter long, Ground Lead 22 cm (9"), and 1 each - Sprung Hook III black and red long, Insulating Cap black and red, Trimmer Tool, Ground Lead for differential Probe Pairs, Flexible 4 mm Safety Probe adapter black and red, Large Alligator Clip red and black

Model	Part No	Attenuation	Input Impedance		System-Bandwidth [MHz] (-3dB)	Rise Time [nsec]	Cable-length [m]	Comp. Range [pF]	Max. Input Impedance [kV]		
			R[MΩ]	C[pF]					CAT II AC _{rms}	VDC incl. pkAC	Impulse Peak
PDD 4161-L	87L-161-000	X 100	50	<6	380	<0.95	1.2	10 ... 50	2.8	4.0	6.0
PDD 4162-L	87L-162-000	X 100	50	<6.5	300	<1.2	2.0	10 ... 50	2.8	4.0	6.0
PDD 4163-L	87L-163-000	X 100	50	<7	150	<2.4	3.0	15 ... 55	2.8	4.0	6.0
PDDS 4962-L	87L-962-000	X1000	50	<6.5	400	<0.9	2.0	10 ... 50	2.8	4.0	6.0
PDDS 4963-L	87L-963-000	X1000	50	<7	250	<1.4	3.0	15 ... 55	2.8	4.0	6.0

Specifications subject to change without notice.